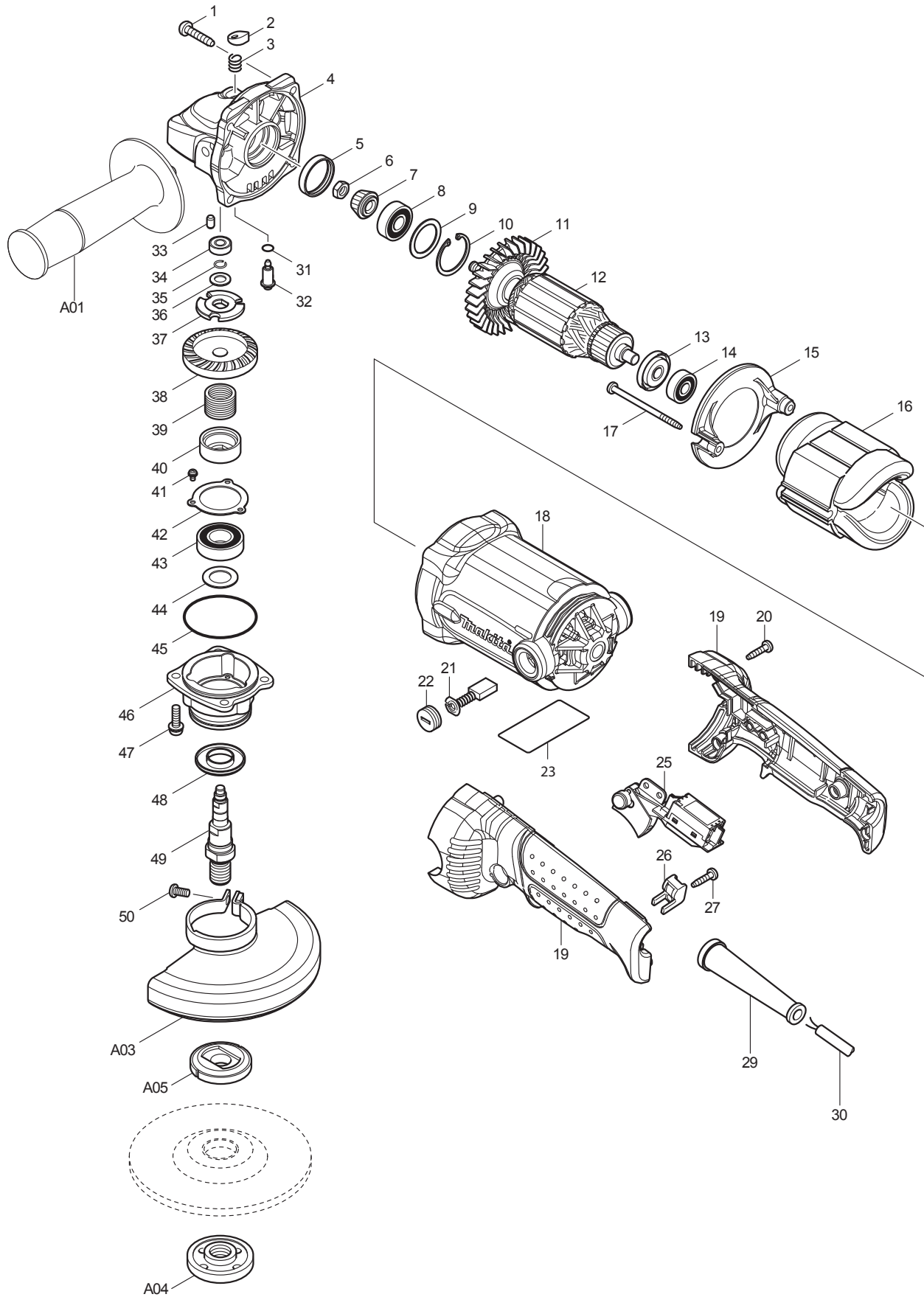




07 - 2010

GA5020

5" GRINDER, SJS, W/O LOCK



Item No	Type	Sub	Part No	Description	Qty	Unit
001	2		266459-3	TAPPING SCREW 5X25	4	PC.
002			417771-6	PIN CAP	1	PC.
003			234057-1	COMPRESSION SPRING 8	1	PC.
004			318158-4	GEAR HOUSING	1	PC.
005			262132-3	RUBBER RING 27	1	PC.
006			264010-3	HEX.NUT M7	1	PC.
007	1		227517-0	* SPIRAL BEVEL GEAR 13	1	PC.
	2		227520-1	* SPIRAL BEVEL GEAR 11	1	PC.
008	2		210059-1	BALL BEARING 6000DDW (Nylon)	1	PC.
009			267352-4	FLAT WASHER 22	1	PC.
010			962107-9	RETAINING RING (INT) R-30	1	PC.
011			240094-5	FAN 70	1	PC.
012			513706-6	ARMATURE ASS'Y 115V	1	PC.
		INC.		Item No. 11, 13, 14		
013			681644-1	INSULATION WASHER	1	PC.
014			210005-4	BALL BEARING 608DDW	1	PC.
015			419961-7	BAFFLE PLATE	1	PC.
016	2		520057-0	* FIELD ASS'Y 115V	1	PC.
		INC.	654020-2	* RING TERMINAL	1	PC.
		INC.	654555-3	* CONNECTOR 34130	1	PC.
017			266340-8	TAPPING SCREW 4X65	2	PC.
018	2		158363-9	MOTOR HOUSING COMPLETE	1	PC.
		INC.	643708-9	BRUSH HOLDER 5-11	2	PC.
		INC.	810341-4	CAUTION LABEL	1	PC.
		INC.	810322-8	CAUTION LABEL	1	PC.
		INC.	810322-8	CAUTION LABEL	1	PC.
019			188292-2	HANDLE SET	1	SET
020	2		265A48-7	TAPPING SCREW 4X18	4	PC.
021	2		194998-2	CARBON BRUSH CB-311 2PC/SET (W/ ORIGIN)	1	SET
022			643750-0	BRUSH HOLDER CAP	2	PC.
023			863611-0	NAME PLATE GA5020	1	PC.
025			651195-8	SWITCH TG933TNB-1	1	PC.
026			687260-7	STRAIN RELIEF	1	PC.
027	2		265A48-7	TAPPING SCREW 4X18	1	PC.
029			682505-8	CORD GUARD 10-90	1	PC.
030			664265-4	CORD WITH PLUG 2P-16-2.5M, SJ	1	PC.
031			213977-2	O RING 7	1	PC.
032			256505-0	SHOULDER PIN 5	1	PC.
033			263002-9	RUBBER PIN 4	1	PC.
034			210006-2	BALL BEARING 696ZZ	1	PC.
035			233926-3	RING SPRING 7	1	PC.
036			253835-0	FLAT WASHER 8	1	PC.
037	2		267811-8	LOCK WASHER	1	PC.
038	1		227519-6	* SPIRAL BEVEL GEAR 34B	1	PC.
	2		227522-7	* SPIRAL BEVEL GEAR 35B	1	PC.
039	2		234356-1	* LOCK SPRING 16	1	PC.
040			324833-2	LOCK SLEEVE	1	PC.
041			911003-8	PAN HEAD SCREW M3X6	3	PC.
042			285728-3	BEARING RETAINER 39	1	PC.
043	2		211236-8	BALL BEARING 6002DDW	1	PC.
044			253853-8	FLAT WASHER 15	1	PC.
045			213624-5	O RING 48	1	PC.
046	2		318299-6	* BEARING BOX	1	PC.

Item No	Type	Sub	Part No	Description	Qty	Unit
		3	318332-4	* BEARING BOX	1	PC.
047			265131-4	PAN HEAD SCREW M5X18	4	PC.
048			345464-4	LABYRINTH RING	1	PC.
049			324790-4	SPINDLE A	1	PC.
050			265103-9	PAN HEAD SCREW M5X14(F/125419-3)	1	PC.
051	1		251391-4	* PAN HEAD SCREW M5X16 (F/135108-2,135650-3)	1	PC.
		2	265180-1	* PAN HEAD SCREW M5X16(F/123145-8)	1	PC.
054			819282-1	CLEAR LABEL	1	PC.
D01			652044-2	+BIND SCREW M3.5X5.0	3	PC.
D02	1		654037-5	* INSULATED TERM. FK1.25-3M (TYPE 1)	3	PC.
D02	2		654117-7	* INSULATING TERMINAL (TYPE 2)	3	PC.
E01			654532-5	TERMINAL BLOCK 1P	1	PC.
<b>ACCESSORIES</b>				<b>- See catalogue or visit <a href="http://www.makita.ca">www.makita.ca</a> for more accessories -</b>		
A01	2		158237-4	GRIP 36 COMPLETE (RUBBER GRIP)	1	PC.
	Opt.		194514-0	VIBRATION PROOF GRIP F/4" - 6", PKG	1	PC.
A02			782424-9	LOCK NUT WRENCH 28	1	PC.
A03	3		135650-3	* TOOLLESS WHEEL COVER ASSY F/5"	1	PC.
		INC.		* Item No. 51	1	PC.
A03	4		123145-8	* TOOLLESS WHEEL COVER ASSY F/5"	1	PC.
		INC.	213009-5	* O RING 4 (Added)	1	PC.
		INC.		* Item No. 51	1	PC.
A04			224568-4	LOCK NUT 5/8-45	1	PC.
	Opt.		193048-0	SANDING LOCK NUT 5/8-48,PKGED	1	PC.
A05			224399-1	INNER FLANGE 45	1	PC.
A08	1		741407-B	5" D.C.W	1	PC.
		2	D-20797	5" ABRASIVE DEPRESSED CENTRE WHEEL A24R	1	PC.
		3	A-95962-25	5" D.C.G.W WA36N 25/PK	1	SET
	Opt.		-----	DEPRESSED CENTER GRINDING WHEELS		
A10			743015-1	RUBBER PAD 115, F/5"	1	PC.
A11			194483-5	LOOP HANDLE SET	1	SET
		INC.	416256-9	LOOP HANDLE	1	PC.
		INC.	450189-8	SPACER A	1	PC.
		INC.	450190-3	SPACER B	1	PC.
		INC.	783204-6	HEX WRENCH 6	1	PC.
		INC.	922453-2	HEX. SOCKET SCREW M8X30	2	PC.
A12			194482-7	DUST COVER ATTACHMENT	1	PC.
A13	1		195236-5	DUST COLLECTION COVER 4-1/2-5" - See Parts Breakdown #195236-5	1	PC.
		INC.	911531-3	PH SCREW M4X18 W/WRM	1	PC.
	2		196575-6	DUST COLLECTION COVER 4-1/2-5" - See Parts Breakdown #196575-6	1	PC.
A14			-----	DIAMOND CUP WHEELS (Use with Item No. A13)		
A15	1		196846-1	DUST COLLECTION COVER 5" DMND, TUCKPOINT BLADE	1	PC.
		2	196845-3	DUST COLLECTION COVER 5" DMND, TUCKPOINT BLADE	1	PC.
A16			-----	4-1/2" - 5" DIAMOND TUCKPOINT BLADES		
A17	1		122641-3	CUT-OFF WHEEL GUARD F/5"	1	PC.
	2		122911-0	CUT-OFF WHEEL GUARD F/5"	1	PC.

**1. Changes on Wheel Cover Assembly & Bearing**

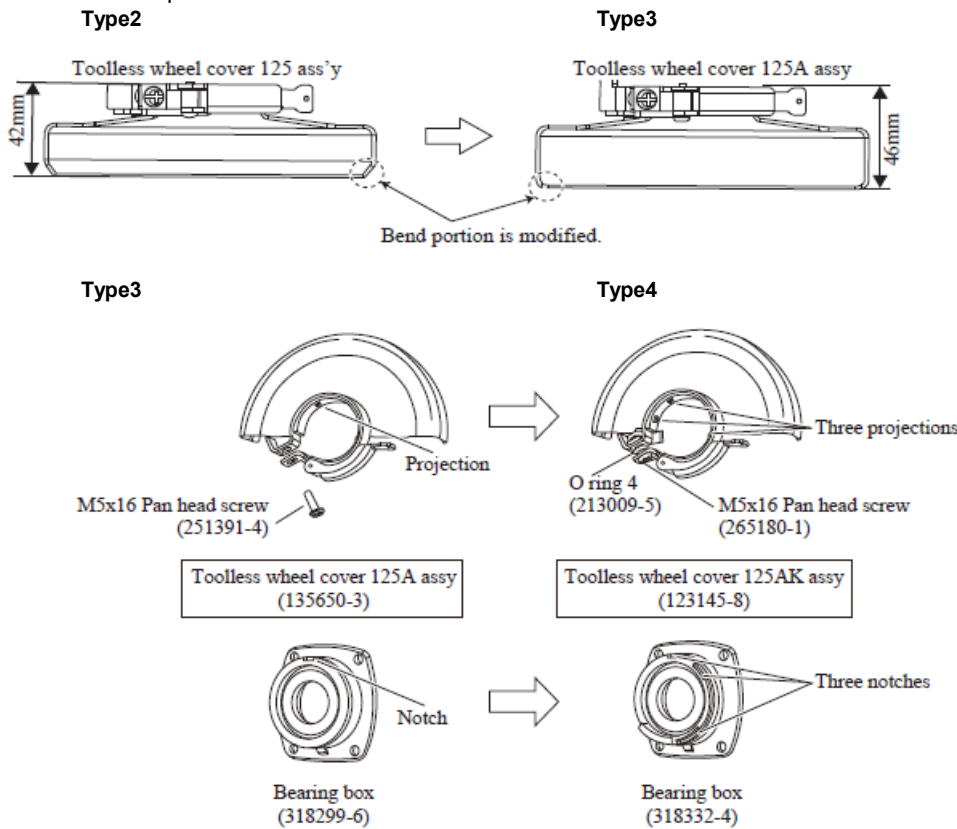
(TI#80667, A4621)

(TI#B3256)

Item No.	Description	Type 2	Type3	Type 4
46	Bearing Box	318160-7	318299-6	318332-4
51	Pan Head Screw M5X16	251391-4		265180-1
A03	Toolless Wheel Cover Ass'y >Toolless Wheel Cover A125 Ass'y	135108-2	135650-3	123145-8
INC.	O ring 4	-----		213009-5
A07 Opt.	Dust Collecting Wheel Guard	193794-5		196845-3
A15 Opt.	Dust Collection Cover 5" Dmnd, Tuckpoint Blade	196846-1		
A13 Opt.	Dust Collection Cover	195236-5		196575-6
A17 Opt.	Cut-Off Wheel Guard F/5"	122641-3		122911-0

Type 3 > Type 4 parts above are interchangeable as a set

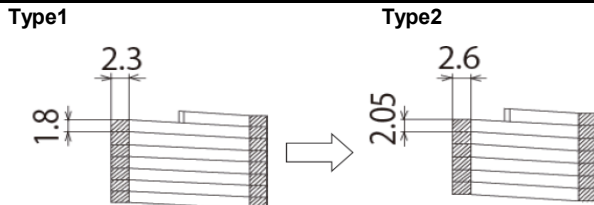
Item no. 51 is a component of A03



**2. Changes on Lock Spring**

(TI#A5676)

Item No.	Description	Type 1	Type 2
39	Lock Spring 16	233957-2	234356-1



**3. Changes on Filed Assy etc.**

(TI#Z12397)

Item No.	Description	Type 1	Type 2
16	Field Ass'Y 115V	525771-3	520057-0
	INC. Ring Terminal	654020-2	
	INC. Connector P-1.25 > 34130	654501-6	654555-3
D02	Insulated Term. FK1.25-3M >Insulating Terminal	654037-5	654117-7

**See Technical Information #Z12397 for Wiring Change Diagram**

**4. Changes on Sprial Bevel Gears**

(TI#B3256)

Item No.	Description	Type 1	Type 2
7	Spiral Bevel Gear 13 > 11	227517-0	227520-1
38	Spiral Bevel Gear 34B > 35B	227519-6	227522-7

All parts above are interchangeable as a set

**Type 1**

**Type 2**

